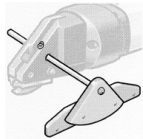
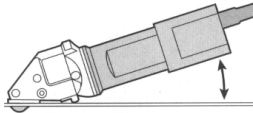


Operating Instructions

- This Power Tool is intended for industrial applications, for cutting sheet metal max. capacity is indicated in the technical data. Do not cut sheet metal through, or along welding points, or multi layer sheets, which exceed the max. cutting capacity. To cut spiral wound tubing 4 x 0.9 mm in metal, the model 3514-2 or 3514 -7R must be used.
To Switch ON: Slide the switch (82) forward
To Switch OFF: Slide the switch (82) to the rear.
- The shear must always be guided flat and the best cutting result is achieved, when the jaws pos. 10 are positioned flat on top of the material, also when cutting circular cuts.



Adjustable guide S/01

- When stopping inside the material, pull metal shear back straight out of the waste, with motor in operation. If too long cut waste off, first.
- Circular cuts, always cut anti clockwise from right to left. The outside radius is unlimited.
- For cutting out curved or inside patterns a 12 -14 mm hole must be drilled or punched or a slot should be made to insert the cutting knife. Square or rectangle cut-outs, drill in each corner a hole between 12 -14 mm.
- A one side cut with the metal shear is possible, a small strip can be easily cut off without leaving a burr and any distortion or scratch marks.
- Cutting the same parts, a template can be manufactured. Without risk of damaging the knife, a cut along the template is possible. Front points of the jaws left and right are used to cut exact along a marked line. To cut strips, use adjustable guide S/01. This guide is infinitely variable, due to the hole in the housing and can be tightened with the set screw. Adjustable guide S/01 can be delivered in 100, 250 and in 500 mm length.
- Knife and jaws can be sharpened. After being sharpened or replaced, the knife at it's lowest point, should protrude the jaws by about 2.5 mm. The gap between the knife and the jaws should be approximately 0.1 mm on both sides. For a burr free cutting adjust the cutting gap as follow: Loosen screw, adjust the gap with set screw, to the left narrow, to the right wide, and tighten screw again. Check gap with a feeler gauge.
- If you read these suggestions carefully, any kind of material can be cut about 200 working hours, before sharpening knife and jaws.
- The material to be cut, must always be free of oil or grease.

Noise/vibration information

Measured values determined according to EN50144. Typically the A-weighted sound pressure level of the tool is 83 dB (A). The noise level when working can exceed 85 dB (A). Wear ear protection! The typical hand-arm vibration is below 2.5 m/s²

Guarantee

Dräco tools carry a guarantee of 24 months from date of delivery.
Damage attributable to normal wear and tear, overload or improper handling will be excluded from the guarantee.
In case of complaint please send the machine, **undismantled**, to your dealer or the Dräco Service Centre for electric power tools.

Environmental protection



Recycling raw materials instead of waste disposal
Machine, accessories and packaging should be sorted for environment-friendly recycling.
These instructions are printed on recycling paper manufactured without chlorine.

Care and Maintenance



Before repairing or any maintenance on machine, disconnect from power supply by removing plug from socket.
Always keep the machine and the ventilation slots clean.
Oil the knife pin 18 and knife 11 at regular intervals.
If the machine should happen to fail, despite the care taken in manufacture and testing, repair should be carried out by an authorised customer services agent for Dräco power tools.

Declaration of conformity

We declare under our sole responsibility that this product is in conformity with the following standards.
2006/42/EG, 2014/30/EU, EN 60745-2-8:2009, EN ISO 11688-1:2009, EN ISO 12100:2010

CE 2016 Susanne Draenert



Operating Instructions for the Metal-Shear SD5-1 and S1001N-1 Original

To avoid any disturbance, please read the following instructions:

For your safety:



1 Safe operation of this machine is possible, only when the operating instructions and the safety precautions are read completely and the instructions contained therein are strictly observed.

2 The machine must not be used when damp and must not be operated in a wet environment.

3 Always inspect cable and plug before using machine. Have damage repaired by a qualified professional, only. Put the plug into the main socket only, when the machine is in off position.

4+5 Always wear protective goggles, protective gloves and heavy-duty shoes when working.

- Do not carry the machine by the cable.
- Always remove the plug from the power supply socket before carrying out any work on the machine, when interrupting work and when not using the machine.
- Always place the cable to the rear, away from the machine.
- Apply the machine to the sheet metal only, when switched on.
- Always provide for secure footing when working.
- Firmly clamp the work piece, if it does not remain stationary from its own weight.
- The knife should not rub on the jaws: Possible danger of cutting tool breakage.
- Do not exceed the maximum allowable material thickness, especially when cutting over double folded joints, or welded seams.

For further notes on safety we refer to enclosed red safety instructions sheet

Technical Data:

DRÄCO metal shears	SD5-1	S1001N-1
max. cutting capacity		
steel	400 N/mm ² mm/ga. 1,0 / 19	1,3 / 18
stainless steel	600 N/mm ² mm/ga. 0,7 / 21	1,0 / 19
stainless steel	800 N/mm ² mm/ga. 0,4 / 24	0,7 / 21
aluminium	250 N/mm ² mm/ga. 1,5 / 16	2,0 / 14
tightest radius	mm/ga. 50	100
working speed	± m/min 5-9	5-9
strokes	min -1 3900	3900
motor capacity	Watt 300	300
weight	kg 1,6	1,6

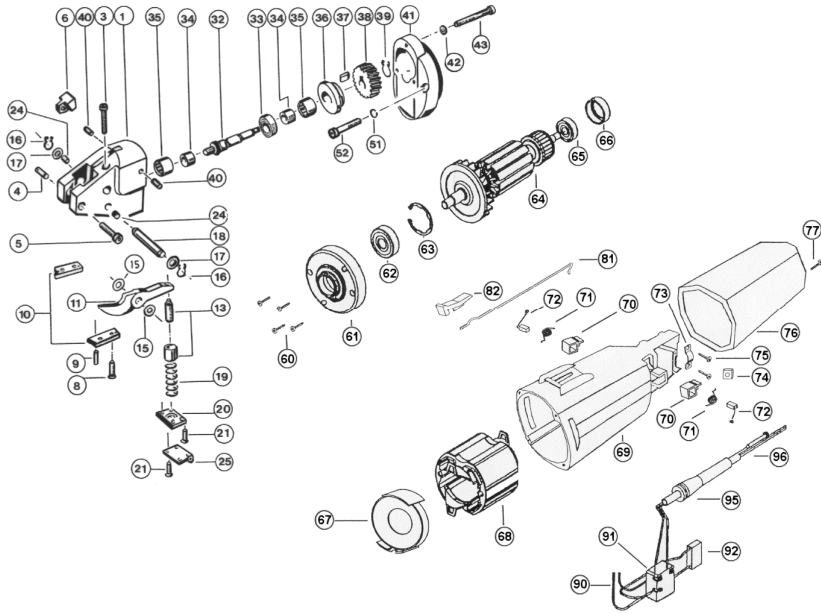
all units are ready to use

SD5-1 spare parts	S1001N-1 spare parts
knife 01011	knife 01001
set of jaws BG13574/1	set of jaws BG10600
knife-pin set	BG12555
optional accessories	
metal-box	18000
adjustable guide S/01 up to 100 mm	10059
adjustable guide S/01 up to 250 mm	10060
adjustable guide S/01 up to 500 mm	10061
support roller	BG10076

BG=Set

other voltages available

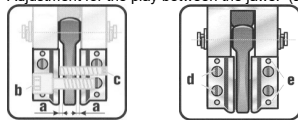
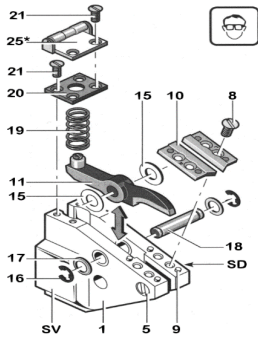
Spare parts for SD5-1 and S1001N-1



SERVICE TIPS

Before working on machine disconnect from power supply by removing plug from socket. Wear protective glasses!

- One drop of oil between knife (11) and head-casting (1) keeps the spacing shims (15) in place.
- Dismantle Spring cover (20) and take spring out (19).
- Take circlip (16) and washer (17) off.
- Push knife pin (18) out of casting.
- Take knife out of housing
- Attention, do not exchange the spacing shims (15).
- Place the knife inside the housing feed shims in on one side and push knife pin (18) into housing up to the middle of the knife.
- Feed the shims on the other side of the knife.
- Push knife pin in completely, and secure washer (17) and circlip (16) again.
- Assemble spring (19) and spring cover (20).
- Between the knife (11) and the jaws (10) should be some distance, approximately 0,1 mm on each side. Knife (11) must be placed tight in the head casting.
- Adjustment for the play between the jaws. (a): 0,1 - 0,15 mm.



- If knife has contact with the jaws on both sides, adjust with screws in the head casting. If a burr is on the material, adjust the space between the knife and the jaws.

Spare parts for SD5-1 and S1001N-1

Pos. No.	Order No.	Description	Pcs.	Pos. No.	Order No.	Description	Pcs.
1,3,4-6,24,35	BG10910	Head casting (SD5, S1001N)	1	42	81249	Securing washer	3
1-52	BG10912	Shear head S1001N-1 cpl. assembled	1	43	81012	Flat fillister head screw	3
1-52	BG10911	Shear head SD5-1 cpl. assembled	1	51	81243	Securing washer	2
3	81019	Hex socket screw	1	52	81181	Hex socket screw	2
4	81120	Spacing-block set screw	1	60-96	16060	Motor cpl. 115 V USA/CDN	1
5	81272	Flat fillister head screw	1	60-96	16000	Motor cpl. 230 V (VDE)	1
6	10810	Spacing Block	1	60-96	16000 CH	Motor cpl. 230 V (CH)	1
8	81440	Flat Head Screw	4	60-96	16000 I	Motor cpl. 230 V (I)	1
9	81248	Pin	4	60	16013	PT-Screw	4
		Knife for S1001N cutting (width: 4 mm)		61	16015	Bearing end plate	1
11	01001	Knife 1001 Standard up to 1,3 mm	1	62	10038	Ball bearing	1
	10111	Knife for radius cutting 1001/01 0,75 mm	1	63	16014	Circlip	1
	10110	Pattern Knife up to 0,5 mm	1	64	16059	Armature 115 V	1
8-10	BG10600	Jaws for S1001N SET Pos.8-10	1	64	16009	Armature 230 V	1
		Knife SD5 for SD5 cutting (width: 5 mm!)		65	10040	Ball bearing	1
11	01011	Knife SD5	1	66	16029	Insulating ring	1
8-10	BG13574/1	Set of jaws SD 5 Pos.8-10	1	67	16030	Ventilation cover	1
13	35566	Knife Lock ring with Adjusting Screw	1	68	16007	Field / Stator 230 V	1
15	BG12400	Spacing shims	1	68	16057	Field / Stator 115 V	1
16	81275	Circlip	1	69	16039	Housing	1
17	81072	Washer	1	70-71	BG16035	Brush Holder and Spring	2
18	12500	Knife pin	2	72	16002	Carbon Brush	2
15-18	BG12555	Knife pin set Pos. 15-18	2	73	16021	Cable collar	1
19	12200	Spring	1	74	16019	Hex. Nut	1
19-21	BG12300	Spring cover Pos. 19-21	1	75	16020	Screw	2
20	12300	Spring cover	1	76	16036	Switch Cover	1
21	81285	Flat Head Screw	1	77	16018	Screw	1
24	17900	Knife pin bushing Ø 10 mm	1	81	16032	Switch Connection Lever	1
24	17911	Knife pin bushing Ø 11 mm	4	82	16033	Switch Knob	1
25	BG10076	Support roller	2	90	16017	Connection Wire	2
32-39	BG10058	Drive Shaft cpl. Assembled Pos. 32-39	2	91	16031	Switch	1
32-34,37+39	BG10004	Eccentric drive shaft Pos. 32-34,37+39	1	92	16005	Capacitor	1
32	10004	Eccentric drive shaft	1	95	16022	Rubber-Sleeve	1
33	10250	Ball bearing	1	96	32046	Cable with Plug Europe (VDE)	1
34	10005	Sleeve	1	96	20260	Cable with plug CH (SEV)	1
35	10300	Needle bearing	1	96	20250	Cable with plug IT	1
35-36	BG10450	Cap for needle bearing Pos. 35-36	1	96	20242	Cable with plug USA/CDN	1
37	10006	Key					
38	10007	Gear	1			Accessories	
39	10009	Circlip	1	10059		Adjustable guide S/01 100 mm	
40	81239	Tap screw	2	10060		Adjustable guide S/01 250 mm	
41-43, 51+ 52	BG10010	Gear case Pos.41-43,51,52	1	10061		Adjustable guide S/01 500 mm	
				18000		Metal Box (Metal)	1

Specifications are subject to change for improvement without prior notice. When ordering spares, please mention order number and voltage.

Max Draenert GmbH & Co.KG Electric - Cordless - Pneumatic Tools - Machines Germany

Factory I : Administration
Production

D-73777 Deizisau
D-73779 Deizisau

P.O.Box 1120
Gutenbergstrasse 15-17

Tel. 07153-8217-0
Fax 07153-8217-66

Internet <http://www.dracootools.com>

E-mail: draenert@dracootools.com

Dealer address: