

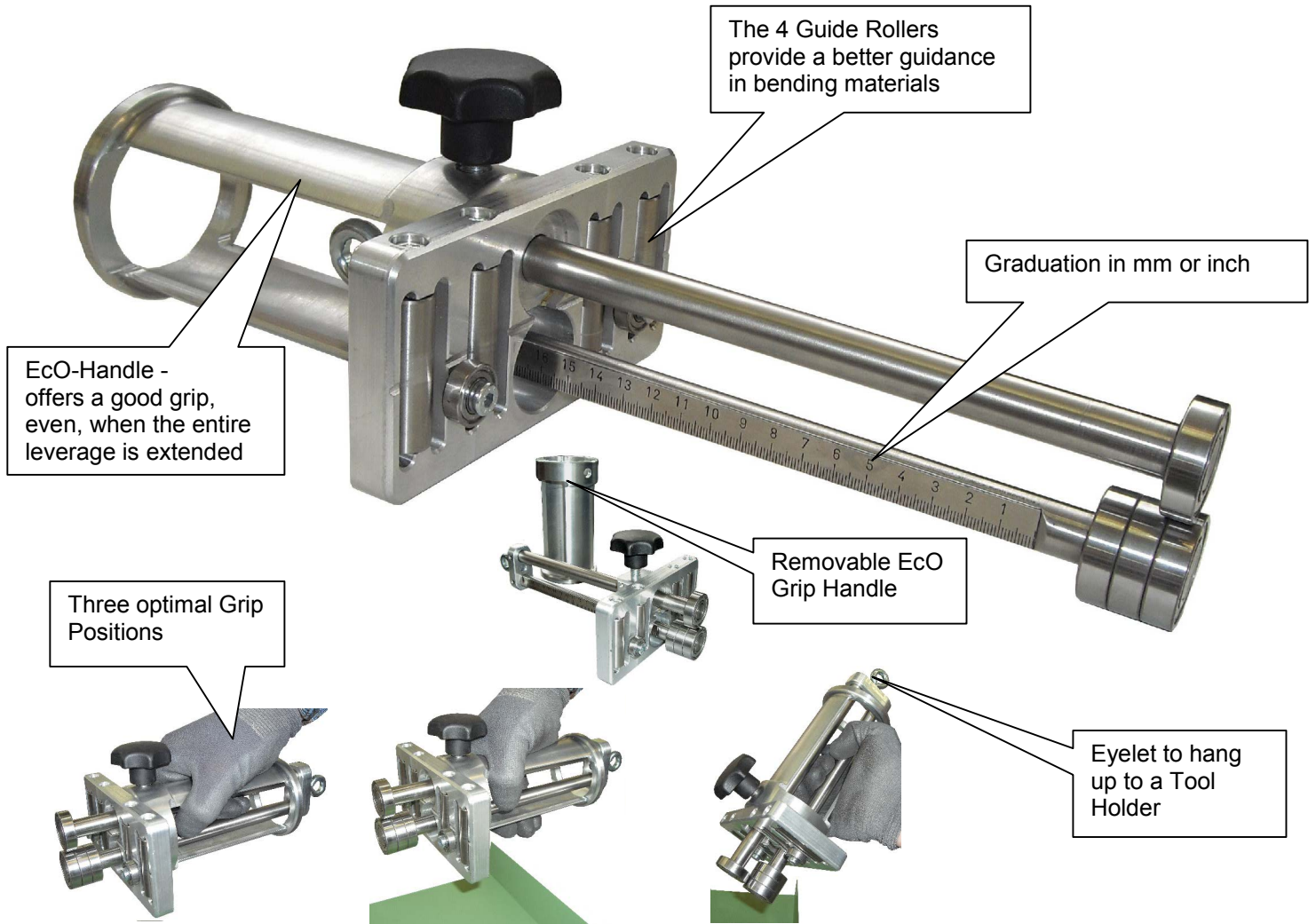
NEW

EcO-Bender 3/200



**Extremely light,
with 4 Guide Rollers and detachable Grip Handle**

**Bending Material fast and perfect.
On Site or in the Work Shop.**



Technical Data:

ECO Bender 3/ 200		Art.Nr. 91545	Max. Material Thickness in mm/gauge	
Max. Bending:	200 mm		• Galvanized Steel	0,75 mm / 21g
Min. Bending Height:	5 mm		• Stainless Steel / Uginox	0,50 mm / 24g
Weight with Handle:	1,8 kg		• Aluminium Copper Zinc	1,00 mm / 19g
Weight without Handle	1,5 kg			

Max Draenert Apparatebau GmbH & Co. KG
Power Tools, machines and tools for roof and wall

Germany

Werk I: Hauptverwaltung
Produktion
Internet <http://www.dracotools.com>

D-73777 Deizisau
D-73779 Deizisau

Postfach 1120
Gutenbergstrasse 15-17
E-Mail



07153-8217-0
07153-8217-66
draenert@dracotools.com