

Manual



5. Maintenance

All parts of the hand seamer are standardized, exchangeable, made of rustproof materials and thus largely maintenance-free. The two side guides (pos. 5 + 6, see previous page) should be lubricated with grease periodically.

6. Accessories and additional tools

If it is difficult to use the hand seamer K8 in hard to get at places (e.g. chimney-windows etc.) the closing handle can be exchanged by a 90° closing handle, item no. BGKH70031.



Fig. K8 with 90° closing handle

To close the double lock seam you need the double lock hand seamer K7-1. The K7-1 closes the pre-closed standing seam (closed by the K8) into a double lock seam in one operation, item no.: 91515-1.

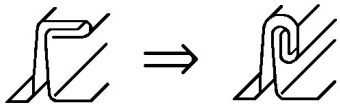


Fig. K7, for closing a standing seam into a double lock seam

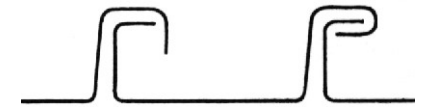


Read, observe and follow this manual and the other applicable documents, especially all safety instructions and warnings.



Always wear protective gloves!

Standing seam closer K8



Item no.	Closing length	Length	Width	Weight
91520	210 mm	255 mm	270-570 mm	2,3 kg

Manual

1. Intended use

The standing seam closer K8 can only be used to manually close pre-profiled panels in the material thicknesses mentioned under point 2.

2. Max. thickness of materials

Copper / Zinc / Aluminum	until 0,80 mm
Steel	until 0,80 mm
Stainless steel	until 0,50 mm

3. Operation method

The hand seamer K8-1 closes pre-profiled panels in one operation to a standing seam and a tight joint.

- 1) Open hand seamer.
- 2) Now place the K8 in open position on the seam with the fixed pivot (1) close against the U-Panel (over cloak)
- 3) Press the closing handle (4) down completely. The seam is now closed.
- 4) Open up the K8 by moving closing handle (4) back to open position, slightly lift and move the tool by approx. $\frac{3}{4}$ of the tool width and repeat the locking process



Fig. K8 in open position

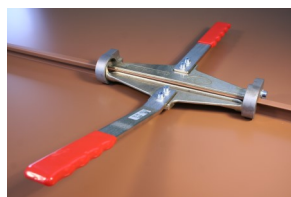
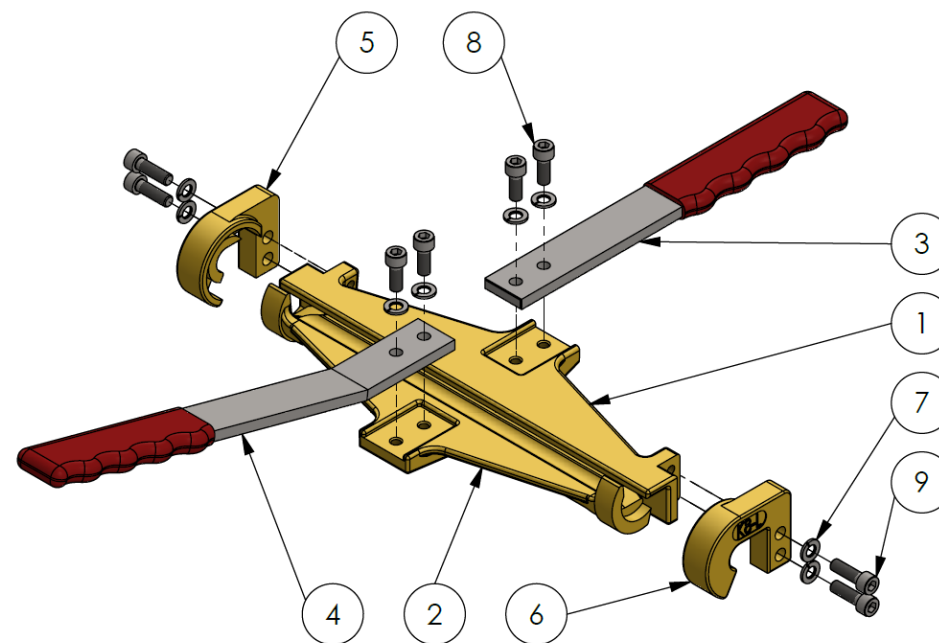


Fig. K8 with closing handle down

4. Tool elements & spare parts



Pos.	Description	Pc.	Item no.
1	Angle pivot	1	KH70013-1
2	Closing pivot	1	KH70012
3	Apply handle incl. PVC red grip	1	BGKH70014
4	Closing handle incl. PVC red grip	1	BGKH70015
5	Side guide R	1	KH70016
6	Side guide L	1	KH70017
7	Spring washer A6	8	81224
8	Screw, ISK M6x16	4	81195
9	Screw, ISK M6x20	4	81065
	Red PVC grip	2	KH70018
	Closing handle, 90° angle (w/o fig.)	1	BGKH70031