

Detail Mobile Folding Brake K1-AGNU-3



K1-AGNU-3

K1-AGN-3

	Item No.:	working width	kg
K1-AGNU-3	91292-3	1120 mm	80
K1-AGN-3*	91295-3	1120 mm	57

* without frame

Accessories:

1. Roller Shear K1-AGNRS-3 incl. guide
2. Guide 800 mm

K1-AGNRS-3	91267-3	Roller Shear	7
K1-AGNTA-3	91269-3	Depth Stop	3

- ideal for roof and wall cladding
- solves all technical bending problems
- bends TOP and DOWN! See our Video!
- clamping of sheet metal with eccentrics and hand lever
- gas-pressure spring counterbalances top clamping bar
- bending possible in all technical directions for roof and wall claddings, see examples 1-6.
- brake can also be screwed on to a working bench
- brake removable from frame, for easy transport to the roof
- all parts used on the brake are made of rustproof materials



angle gauge



strengthened bending cheek



opt. depth stop 800 mm



opt. roller shear K1-AGNRS-3

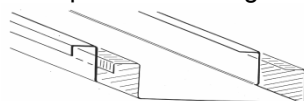
Technical data:

Opening of top clamping bar 60 mm
Aluminium, Copper, Lead, Zinc 0,8 mm,
Stainless Steel 0,5 mm

Standard-Equipment:

- segments for top clamping bar
560 / 202 R / 202 L / 102 / 127 / 76 / 52 mm
- assortment for bottom bending bar
1120 / 520 / 445 / 290 mm.
- frame with 4 castors (only K1-AGNU-3)
- Allen wrenches
- straight fence
- angle fence
- metal box (only K1-AGNU-3) for safe storage of parts and tools

Examples for bending metal to the top and down 180°



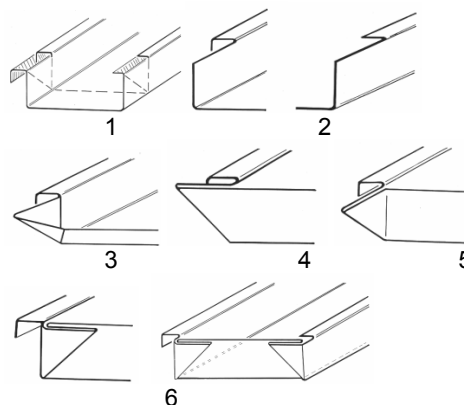
To bend fold to the top or down 180°, cut marked parts out the female and male panel



For connections at the gutter, ridge or wall, to the top or down 180°

Examples for flaps Pos. 1-6:

1. for flaps, cut marked parts out of female and male panel (under cloak, over cloak)
2. female and male 25 mm cut out (under cloak, over cloak)
3. with brake, bend 30° to top and bend flaps with a pair of pliers to the outside
4. bend fold 90° to top and press flaps with a pair of pliers tight
5. with a pair of seaming pliers bend flap to the right and left
6. press flaps tight with a pair of pliers



Instruction video:
www.dracotools.com