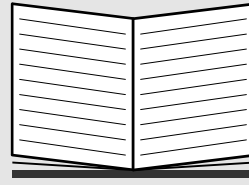


... the Roof- and Wall Program of



Instruction Manual



Please read this manual, before attempting to operate this machine and observe all safety regulations and signs.

Automatic Power Seamer

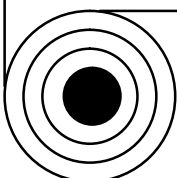
K9-1-GWS (for Single Lock Standing Seam)



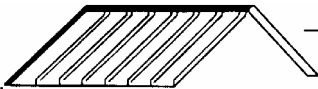
Pic. K9-1-GWS



Mach.-No.: 04430



Max Draenert Apparatebau GmbH & Co. KG – Electric – Cordless – Pneumatic Tools – Machines
Factory 1 D-73777 Deizisau P.O. Box 1120 Phone +49-(0)7153-8217-0
 Gutenbergstr. 15-17 D-73779 Deizisau Fax +49-(0)7153-8217-66
 INTERNET <http://www.dracotools.com> E-Mail: draenert@dracotools.com



Index

Page

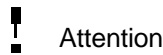
GENERAL INFORMATION	2
PICTOGRAM EXPLANATION	2
USERS REFERENCE	2
USERS OBLIGATION	2
SAFETY INDICATION	3
TECHNICAL DATA	4
FUNCTION	5
CONTENT	5
NORMAL EQUIPMENT	5
ACCESSORIES	5
REMOTE CONTROL K9-1-KF	5
OPERATION INSTRUCTIONS	6
ENVIRONMENT CONDITIONS	6
CHECKUP BEFORE OPERATING	6
WORKING WITH THE POWER SEAMER (DOUBLE LOCK SEAM)	7
PREPARING THE PANELS	7
PREPARING SEAM TO INSERT THE SEAMER	7
PREPARING THE POWER SEAMER	7
VARIABLE PRESSURE ADJUSTMENT	7
WORKING CONSEQUENCE CLOSING THE SEAM	8
WORKING WITH ACCESSORIES	9
CLOSING LOCK HANDLE	10
Change of Forming Stations	11
WINTERSET K9-1-WS	12
ASSEMBLING	12
DUAL SAFETY SWITCH K9-1-DF	13
FUNCTION	
CHECK UP DUAL SAFETY SWITCH DF	13
WORKING INSTRUCTIONS DF	14
WORKING WITH THE REMOTE CONTROL K9-1-KF	14
VARIABLE PRESSURE ADJUSTMENT K9-1-ASS	15
CONTROL BOX	16
SHORT DESCRIPTION START UP K9-1	17
WORKING ADVISE WITH SAFETY SWITCH	18
MAINTENANCE ADVICE	19
WARRANTY	20
SAFETY PRECAUTIONS	attached
DECLARATION OF CONFORMITY	attached

GENERAL INFORMATION

Please read the safety regulations carefully. These should always be followed to reduce the risk of personal injury. Read these instructions before attempting to operate this product, it will help to reduce any accidents.

PICTOGRAM EXPLANATIONS

In the operation manual all safety regulations are mentioned with following Pictograms:



Danger general



Danger specific



Signs Outdoors



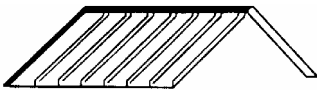
Prohibition Signs

USERS REFERENCE

Power Seamer K9-1 GWS, can be used to close or to cut open seams only, please see technical data and read the manual how to operate the seamer.

USERS OBLIGATION

All Operators must educate themselves as to the proper operation and uses of this equipment. The Operation Manual must be kept with the machine at all times.



Safety Indicators for Users and Operators



When working at the wall or roof, ensure that everything conforms to the local health and safety regulations.

Before plugging in and using Seamer check plug and cable also accessories if damaged.



Consider work area environment in rain or snow, working on Metal Roofs is prohibited after DIN18339.

Any damage on Seamer, send machine in to the manufacturer for servicing.



DANGER / ACCIDENT



Check label for voltage, the electric mains connection must correspondent.



Don't expose the Seamer to rain or snow, the Power Seamer can be used in damp locations on account of water-protection resistance after IP 54



The Seamer must be operated on a grounded socket only, to guard against an electric shock. Danger due to electric shock.



Guard against electrical shock.



Disconnect plug from socket, before machine - adjustment or servicing and when not in use. Injury – Danger.



Do not transport Seamer or Metal Box with a lifting crane.



Operate Seamer only when located on top of the panel. Injury.



Working overhead with the seamer is not allowed.



Ensure that the forming stations are positioned correctly, (numbers). Use Original Forming Rolls only.



The Seamer must work freely without force, do not push or pull and do not sit or stand on top of the machine. Danger, accident.



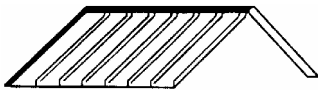
Before profiling check the rolls, for right position, that they are located in the pin and the screws tight.



The Operator must secure himself when working with the machine. Danger Accident.



Lifting eyes are provided to enable a safety rope or cable to be fitted, especially when working on vertical claddings or on a steep slope on top of the roof.



Technical Data

K9-1-GWS Basic Version

Parameter	Figures	Standard
Machine Type	K9-1-GWS	
K9-1-GWS Stations (Forming sets)	2	
Motor data		
Voltage single phase	230 or 115	V~
Power	1150	W
Amps	6,3	A
Protection dampness	I	IP54
Weight without accessories	22	kg
Speed, variable	5,5 - 13	m/min
Metal Thicknes (Roll-form qualität)		
Aluminium, Zinc, Copper	0,8 / 20	mm / gauge
	280	N/mm ²
Steel	0,7 / 21	mm / gauge
	370	N/mm ²
Stainless Steel	0,5 / 24	mm / gauge
	400	N/mm ²
Min. Radius	60	cm
Seam Height	25 - 60	mm
Panel width min.	140	mm
Recommended Material temperature min.	+ 10 / +40	°C / °F

Technical changes can be made without prior notice 03/11.

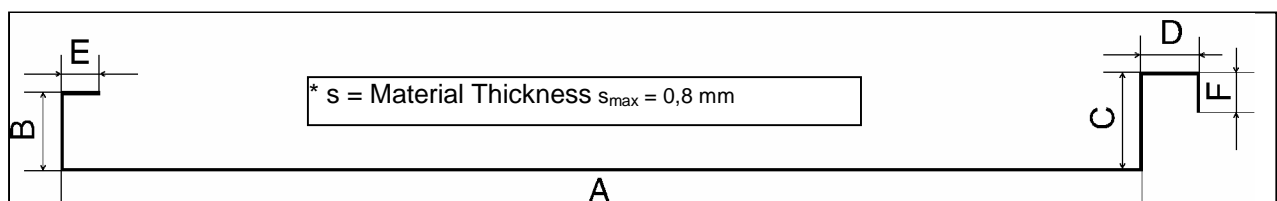
Technical Data Accessories

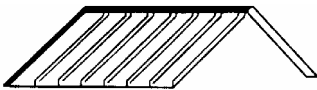
Technical Data of Winterset K9-1-WS see manual blower page 16.

Panel Configuration Control Measurements

- | | | | |
|---|----------------------------|---|--------------------------|
| A | Min. width of panel 140 mm | D | Up to 15 mm |
| B | from 24 mm | E | Measurement D - (5 x s)* |
| C | from 25 mm | F | Measurement D - (5 x s)* |

* s = Material Thickness





FUNCTION

Power Seamer K9-1-GWS is a new combination of DRÄCO patented functions all together, to close a single-, or double lock seam, cutting rolls K9-1-AR set, to cut the seam open for renovation or repair at the roof or wall.

Seamer K9-1-GWS is a light weighted machine at an advanced working speed between 5,5 - 13 meter per minute. A seam at the wall 90 degrees up or down can be handled without a problem. All materials can be closed to a seam in a clean transition, also at cross seams.

The high seam quality is achieved through 4 drive rolls. Two rubber drive rolls work, without leaving scratch marks on painted or coated sheets, up to 0,8 mm, and stainless steel 0,6 mm in thickness.

Four outrigger wheels can be adjusted for different seam heights from 25 to 60 mm. The variable pressure adjustment K9-1-ASS can be adjusted to achieve an optimum closed seam.

To close barrel curved roofs, a radius of 0,6 meter is possible without any adjustment. Clean transition at the clips and cross seams due to the spring washers and the variable pressure adjustment K9-1-ASS.

Multifunctional accessories are: single lock forming rolls K9-1-WR, dual safety switch K9-1-DF, set of cutting rolls K9-1-AR, winter set K9-1-WS, remote control K9-1-KF.

Lifting eyes are assembled to the seamer to enable a safety rope or cable to be fitted, especially when working on vertical claddings or on a steep slope on top of the roof. Overhead working with the seamer is not allowed.

Safety first on site, roof or wall is our endeavor, the patented dual safety switch K9-1-DF prevents the seamer to fall off the roof, stops automatically at the end of a seam, gutter or ridge, wall or obstructions.

Winter Set K9-1-WS, attached to the seamer and speed control in low working speed, (under + 10°C, depending on the material) for trouble free seaming in cold temperatures. Ideal for best results in seaming.

CONTENTS

Please check package for completeness.

BASIC EQUIPMENT:

- n 1 Power Seamer K9- 1-GWS, for single lock seam
- n 1 Manual
- n 1 Transport box
- n 1 Allen Key
- n 2 Spare Screws

Assembled:

- n Variable Speed Control
- n Variable Pressure Adjustment System K9-1-ASS
- n Socket for Dual –Safety Switch K9-1-DF
- n Socket for Remote Control K9-1-KF with FORWARD-STOP-REVERSE-Function

Accessories for K9-1-GWS

(Not included in Basic equipment)

- n Dual Safety Switch K9-1-DF
- n Remote Control K9-1-KF
- n Winter Set K9-1-WS
- n Hand Seamer K8 Single Lock
- n Hand Seamer K7 Double Lock

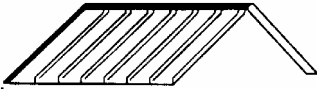
Remote Control Information (option)

The remote control for forward and reverse operation is ideal to close the single lock seam at the facade or wall from the ground, comfortable.



Attention

A seam can only be closed in forward operation. Reverse operation of seamer is possible when the seam is closed already. Always safeguard the machine.



... the Roof- and Wall Program of



Operating Instructions

Starting up Seamer K9-1(-GWS)



When working on site, please follow the safety regulations in your country, read these instructions before attempting to operate this machine.

Environment Conditions



Working on top of the roof by rain and snow is not allowed. Safety regulations and accident prevention DIN 18339.



Danger of accident



The Power Seamer K9-1(-GWS) can be used in damp locations due to water protection resistance after IP 54. Do not use in heavy rain or snow.



Guard against electric shock!



When working on vertical claddings, on a steep slope at the end of the roof, secure a safety rope to the lifting eyes to prevent machine falling off the roof.

Accident prevention.

Check before operating the seamer



Before plugging the machine into the electricity supply check plug and cable also all accessories if damaged. Any damage observed, please send machine in to the manufacturer for servicing.



Check label for voltage, the electric mains connection must correspondent.



The seamer must be operated on a grounded socket or extension cable only, to guard against an electric shock.

DANGER



Before servicing or adjusting the Seamer unplug cable from socket.

INJURY

n Take Seamer K9-1(-GWS) out of the metal case, lay machine level with the forming stations to the ground.

n Check Seamer, accessories, plug and cable for damage once more.

! Any damage observed send machine in for servicing.

! Noticeable examination outside.

Height adjustment

n Check outrigger wheels for correct height adjustment and screws tight.

Forming rolls

n Rubber and forming rolls must be free of grease and oil. Check forming station numbers for correct alignment.

Function check

! Switch must be positioned to "0" switch light off.

! Always work with the 4 outrigger wheels at the side of the seamer

n Operate seamer only on grounded connections, socket, extension cable or cable drum.

n Switch machine to "1", switch lights up, press Start Button.

All 4 forming rolls must turn.

! When a dual safety switch (K9-1-DF) is assembled to the seamer, lift bottom feeler up, put pin into hole no. 1 to lock feeler.

ATTENTION

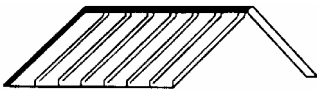
Position no. 1 non operation

Position no. 2 in operation.

n Switch machine off

n Wait until all forming rolls come to a stand still
Unplug cable

If there is no notice of defects, the Power Seamer is ready to work according the regulations.



WORKING WITH the POWER SEAMER Single Lock Seam



Before working with the power seamer K9-1(-GWS), please read chapter operation instructions page 6.

Read the safety indications and pay attention to.

Preparing the panels

- n Fit the clips to the first panel.
- n The next panel overcloak, over the undercloak



Preparing seam to insert the seamer

Before inserting the K9-1(-GWS), to close the seam and if not possible from the outside, close panel with hand seamer K8 one time.

To avoid seamer to work itself out of the seam, close long panels every 2 to 3 meter with the hand seamer K8.



Moveable locking handle, folds up

Ring for pressure adjustment

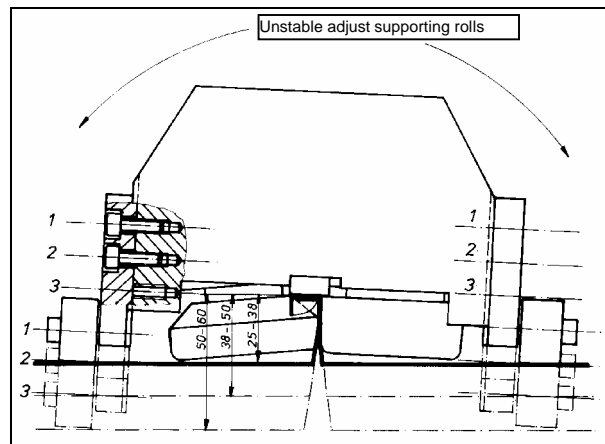
PREPARING THE SEAMER

Adjustment of outrigger wheels

The outrigger wheels can be adjusted to 3 different heights.

- Number 1: 25 - 38 mm
- Number 2: 38 - 50 mm
- Number 3: 50 - 60 mm

The outrigger wheels stabilize the seamer when working on top of the roof or at the wall. All 4 wheels must be adjusted to the same height and there should be clearance between the roll and the material.



Height adjustment of out rigger wheels No. 1, 2, or 3

Fasten screws after adjustment



The outrigger wheels with the brackets are marked with R (right) and L (left) and must always be assembled to the marked side of the machine.

Variable Pressure Adjustment

To achieve an optimum closed seam, adjustment might be necessary for hard materials. (Trial run check, sample)

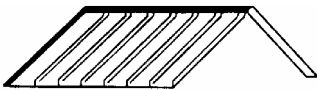
Adjustment of pressure

Increase pressure: Turn both adjustment rings regular clockwise to increase the pressure.

Decrease pressure: Turn both adjustment rings anti - clockwise to decrease the pressure.

The pressure can be changed on both rings; (see arrows) A sample panel should be closed to check the seam.

Adjustment pressure rings should be turned anti clockwise to "0" after non-operation, to relieve the disk springs.



WORKING CONSEQUENCE CLOSING THE SEAM

! Dual safety switch K9-1-DF assembled to the seamer, check the position of pin first before switching the seamer to "on".

If pin is in position 1 the machine will not switch off automatically!

Pin in position 2 the dual safety switch is in operation.

! Before working with the dual safety switch, check the function of the switch.

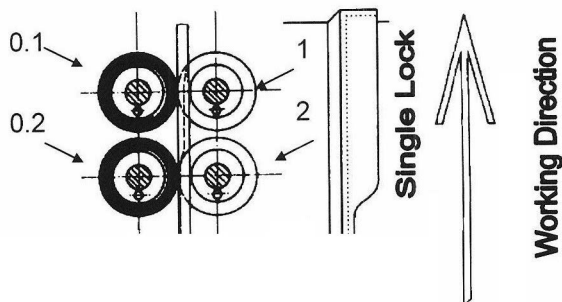
ⓘ Working direction variable up or down.

- n Insert the seamer, locking handle open, with the 2 forming rolls into the panel.
- n The first two forming rolls No. 1 and No. 2 must be set under the single lock seam. See picture.

! Press locking handle down all the way, to ensure that the handle does not open up again.

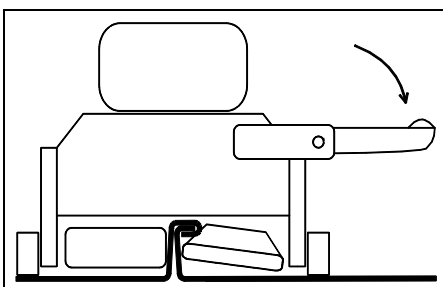
! Secure a safety rope to the lifting eyes.

- n Seamer must be operated on a grounded socket only.
- n To operate seamer switch to "I" and push knob 2 (see page 17)
- n After switching the machine to on position the power seamer will work automatically and close the panel to a double lock seam.
- n At the end of the ridge or eave switch machine to "0" off.
- n Open locking handle.
- n Take seamer out of the panel.



Insert the rolls no. 1 and no. 2 at the beginning of the seam

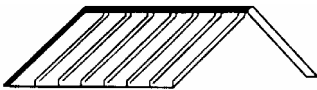
! The locking handle must be positioned to the forming side



Lock handle

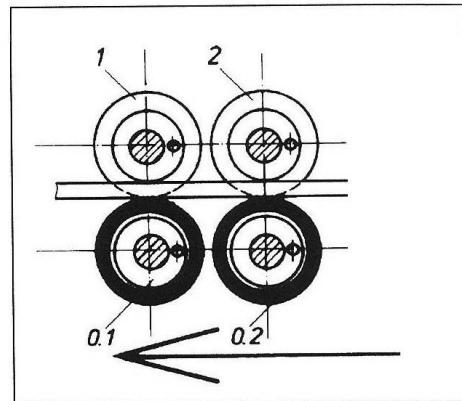
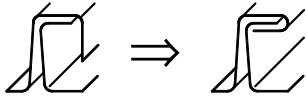
If there is an obstruction, windows, chimneys, vent pipes, move locking handle against the spring and to the top. See picture previous page.

Take seamer out of the panel, move locking handle down, spring pushes pin into the bracket, move handle to the top and take seamer off.



Working with Power Seamer K9-1-GWS

The Power Seamer K9-1GWS is equipped with two forming stations 1 and 2 to close the panel to a single-lock seam.



Working Direction



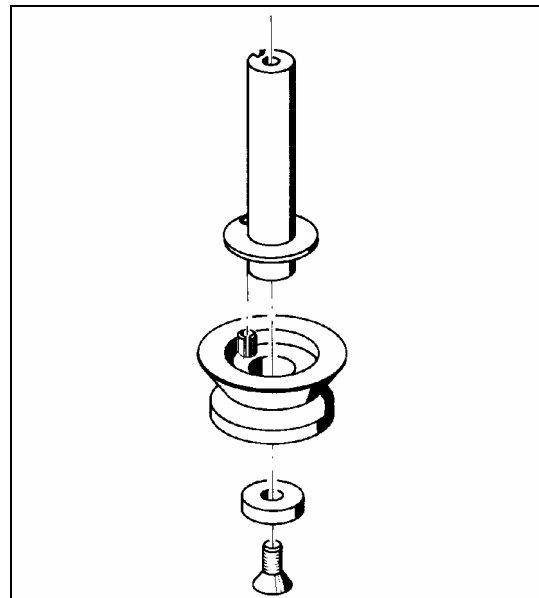
Before working with the power seamer K9-1(-GWS) make sure you read the operation instructions as well as safety indications.

Read all of the safety regulations and instructions carefully.



Disconnect plug from socket before machine adjustment, servicing and also when not in use. Injury - Danger.

Sequence of assembling forming stations



n Take both rolls off the shaft.

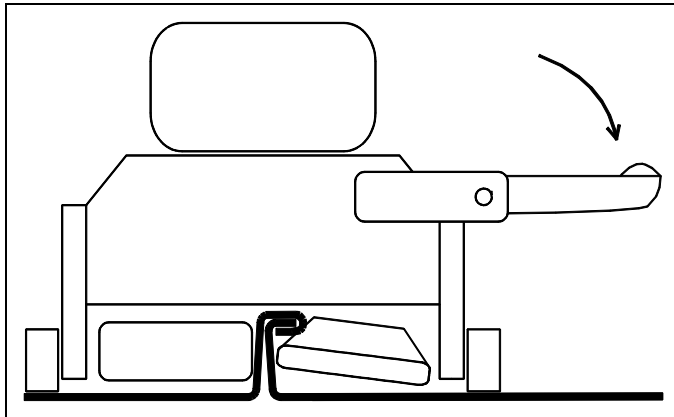
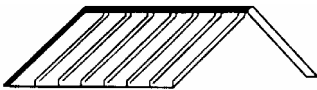
n Assemble single lock forming rolls 1 and 2 to the marked numbers at the side of the seamer 1 and 2, turn the rolls until the pin settles itself into the hole of the shaft.

n Rubber drive rolls 0,1 and 0,2 assemble to the shaft no. 0,1 and 0,2

n Preparing the panels and the seamer read chapter working with the Seamer.



Lay out panels one after one, fasten clips, close the panel with the Seamer, or single lock hand seamer K8, to achieve a clean single lock seam.



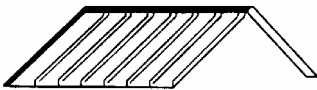
Locking handle closed

- n Close locking handle until engaged.
- n Closed locking handle must be parallel to the panel.
- ! n If handle is not closed correctly, when working, it could open back up.
- ! n For safety reason, always fasten rope to lifting eyes.
- n Operate seamer on grounded connections, extension cables or cable drums, only.
- n Switch machine to "on" and press "start" button.

The seamer cuts the seam open automatically.

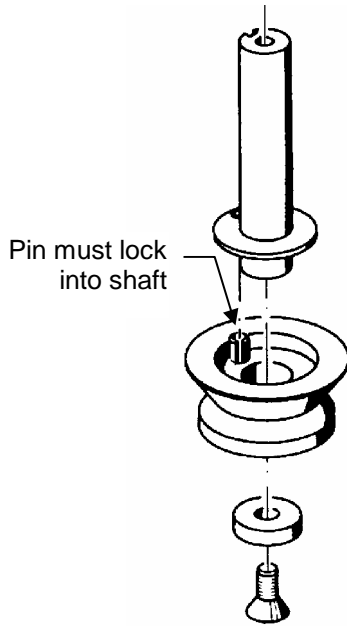
- n At the end of the seam, switch machine off, or set back switch no. 6 to stop. See page 17.
- n Open locking handle.
- n Take seamer out of panel.

If the seamer runs against an obstruction, the rest of the seam has to be closed by hand (Single Lock Seamer K8).

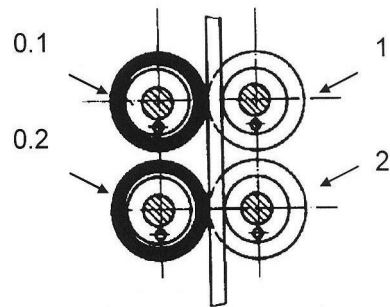


Change of Forming Stations K9-1(-GWS)

Forming station assembly on shaft



Standing Seam Forming Stations (Standard)





Winterset K9-1-WS (option)



Before switching hot air blower on, read the instruction sheet about the winter set.



Disconnect plug from the socket if any maintenance is necessary to the seamer or blower.



The hot air blower can heat up to 650° C, 1202 ° F
DANGER OF FIRE!
Keep away from inflammable articles.



Seam and hot air blower, as well as reflector can get very hot.
Do not touch.
Danger of burns.



Wear safety gloves at all times!

Optional accessory, winter set K9-1 WS is used when outside temperatures are low. The hot air blower will warm up the seam to achieve an optional closed seam.

! If a temperature of +10°C on top of the seam is not reached, turn the electronic speed control to a lower working speed, minimum 5,5 m/min.

Assembling Winter Set to Seamer K9-1 (-WAD)

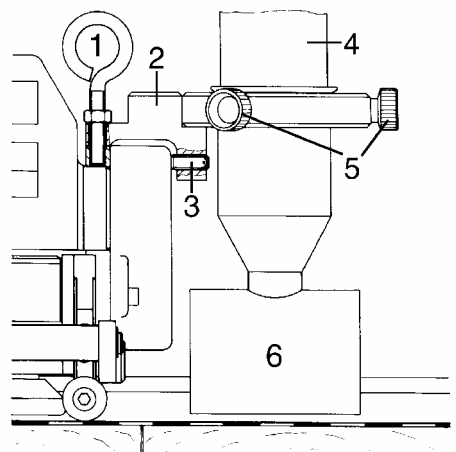
Disassemble eye screw (1)

Blower bracket (2) assemble with eye screw (1) and tighten.

Tighten worm screw (3)

Push reflector (6) from the bottom towards the blower and tighten screw.

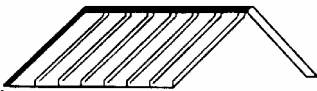
Feed hot air blower (4) from the top into the bracket (2) and tighten 3 screws (5) equal, finger tight.



The hot air blower winter set can be electronic regulated up to + 650° C, 1202 ° F.



For technical data, Winter Set K9-1-WS see instruction sheet hot air blower.



DUAL-Safety Switch K9-1-DF (option)

Safety first on site is our endeavour.

The patented Dual Safety Switch K9-1-DF is constructed for safety, to stop the seamer automatically at the ridge, eave or any other obstructions on top of the roof or wall.

- ! When working on vertical claddings, on a steep slope or at the end of a roof, secure a safety rope to the lifting eyes in front or backside of the seamer to prevent machine falling off the roof, even if the dual safety switch is assembled.
- ! Power Seamer K9-1 without a dual safety switch K9-1-DF the item can be fitted in the factory, afterwards.

Function

At the end of the ridge, eave or any other obstructions the machine shuts off automatically due two switches at the front and below the seamer.

Check dual safety switch before working with the machine:

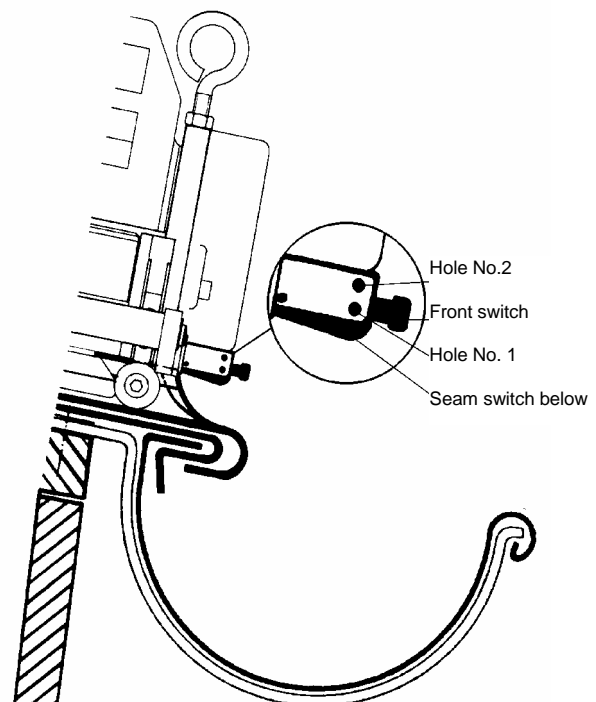
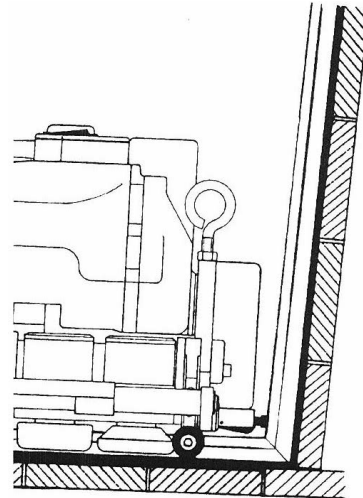
- n Seam switch below, push to top.
- n Insert pin in hole no.1
- n Switch machine to "on" (pin in hole no.1) all forming stations must turn.

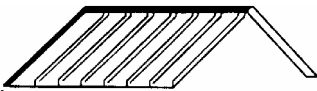
Press front switch, seamer shuts "off", all rolls come to a standstill.

- n Seamer can be activated, switch machine off and to on again. All forming station must turn.
- n Take pin out of hole no. 1, and insert pin in hole 2.

Seamer power shuts off. All rolls come to a standstill.

- n Switch machine off to "0".





WORKING SEQUENCE - DUAL SAFETY SWITCH K9-1-DF

To activate the dual safety switch:

- n Take pin out of hole no. 1.
- n Insert pin in hole no. 2.
- n Set seamer on top of the seam.

! Attention: The bottom seam switch must be placed on top of the seam.

- n Switch machine to "ON", push START Button.

The seamer K9-1(-GWS), will close the seam to a single lock automatically.

Automatically the seamer stops at the end of the panel.

- n Switch to "0" STOP.
- n Open locking handle.
- n Take machine out of seam.

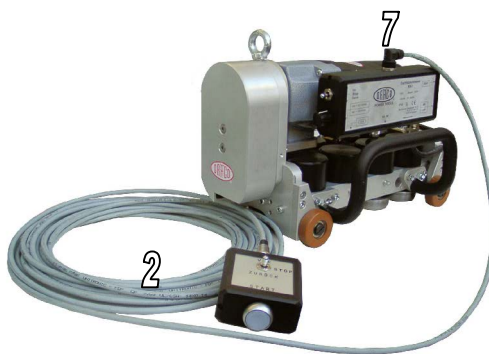
At the end or beginning close the remaining seam, with the single lock hand seamer K8.

To set the seam switch out of order:

- n Take pin out of hole 2.
- n Push seam switch to the top.
- n Insert pin in hole 1, to lock the seam switch, the dual safety switch is out of order.

! **Attention: Check dual safety switch every time before working with the seamer. Check the setting of the pin no.1 or 2.**

WORKING WITH THE REMOTE CONTROL K9-1-KF

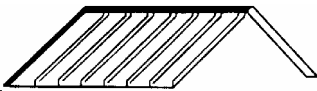


Seamer K9-1
with remote control K9-1-KF and cable

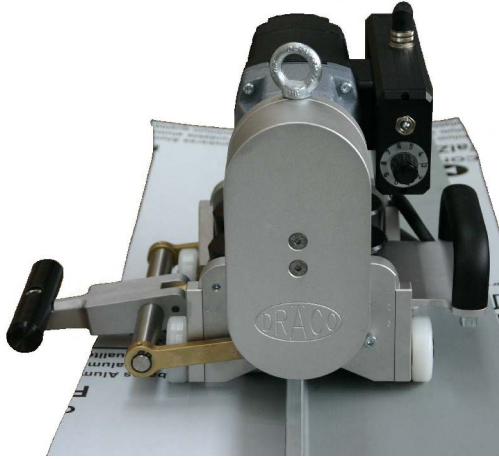
Using remote control, take off temporary plug (7, without cable) first. Insert remote control cable into plug and tighten. The control center shuts off the function of the seamer, when the remote control cable is engaged. The variable speed control knob no.5 is still in function and can be used for high and low speed.

Reverse operation the dead man's handle will be automatically activated, the start button must be held for operation permanently, because of safety reasons.

After removing remote control cable (2), insert temporary plug (7) again, otherwise the seamer is out of function.



POWER SEAMER K 9-1-GWS Variable pressure adjustment K9-1-ASS



Service Tip: Pressure Adjustment

Depending on the hardness of the materials, the pressure to the forming stations has to be increased to achieve an optimum closed seam.

Pressure can be changed on both adjustment rings regular.

Increase pressure: Turn both adjustment rings clockwise

Decrease pressure: Turn both adjustment rings anti-clockwise

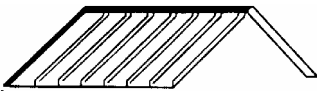
After the adjustments are made, check seam closure on a sample panel.

Seamer in non-operation, turn both rings anti-clockwise to reduce pressure to the disk springs.



Loosen locking handle before adjusting the pressure

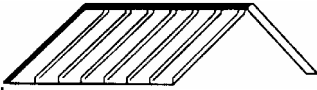
Adjustment rings with pin hole



ELECTRONIC SWITCH BOX



1. Main switch on – off
2. Start pushbutton
3. Socket for Dual Safety Switch K9-1-DF
4. Fuse
5. Variable speed knob
6. Switch for forward-stop-reverse
7. Socket for remote control K9-1 KF (+ temporary plug)



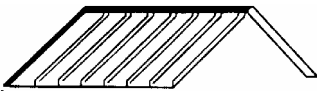
Instructions how to start up the Power Seamer K9-1-GWS

1. Check voltage, power supply and label on power seamer for correspondence.
2. Plug seamer K9-1 into power outlet.
3. Push red switch to on (No. 1). Light burns.
4. Choose with switch (No. 6) forward , reverse or stop function.
5. For forward operation, push lever switch (No. 6) to top position.
6. Check if temporary plug or the remote control (No. 7) is assembled to the seamer.

Important

One of these plugs must be mounted to the seamer, always, otherwise machine will not run.

7. Insert Seamer K9-1-GWS into the panel up to the first forming station.
8. Push start push button (No. 2) and seamer will be in operation.
9. If machine is not running, check fuse (No. 4).
10. For pictures and numbers see page 16 electronic switch box.



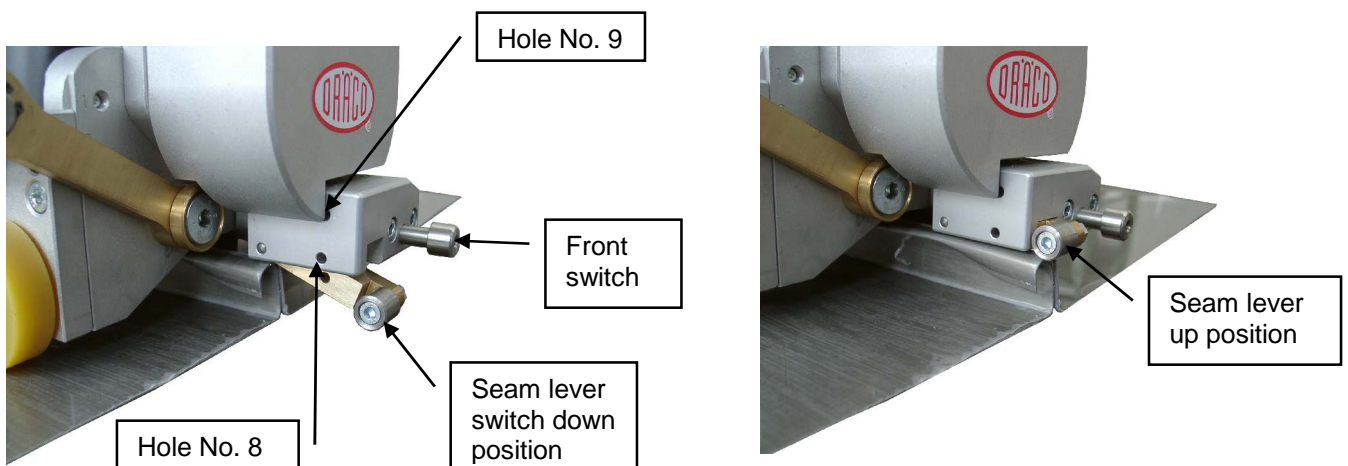
Instructions how to work with the DUAL - Safety Switch K9-1 DF

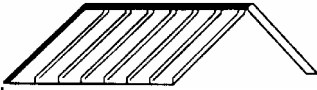
1. Check if machine is equipped with a DUAL-Safety Switch K9-1 KF.
2. Plug must be inserted to the socket (No. 3) see label, K9-1-DF, electronic switch box.
3. Bottom seam switch, push to the top and insert pin into hole (No.8). This activates the seamer.
4. Push red switch to on (No. 1) light burns.
5. Choose forward, reverse or stop function with switch (No. 6). For forward operation, push lever switch to the top.
6. Push seam switch to the top and insert pin into hole (No. 9) to activate the machine.
7. Push start up button (No. 2), all forming stations must turn.

ATTENTION

When working with the dual safety switch, the pin must be disconnected from hole no. 8; otherwise seamer will not stop at the end of the seam. Check spring tension of seam lever switch at all times. Danger machine can fall off the roof.

8. Remove pin from hole no. 8, to activate the safety switch and stick pin in hole no. 9.
9. **Attention: If pin is located in hole no. 8, the safety switch is in non-operation, machine will not switch off at the end of the seam. DANGER!!**
10. Set seamer and seam switch on top of the seam.
11. Push start up button (No. 2).
12. With the variable speed knob (No. 5) it is possible to increase the seaming speed from 5,5 m/min up to 13 m/min.
13. At the end of the ridge, eave or any other obstructions the machine shuts off automatically.
14. Seam switch below, shuts off at the end of the ridge, the front switch at any other obstructions.





MAINTENANCE AND SERVICE

No maintenance on the seamer is required.
If machine is dirty, use a dry rag for cleaning.

Avoid storage outdoors for a long period.

Cover machine with a tarp for outside weather.

Keep your machine clean. This will increase the life of the machine and make maintenance easier.
A clean machine will provide a clean product.

Repairs or maintenance of the seamer should be carried out only, by the manufacturer or an authorized dealer or qualified person.

Use original spare parts only.

WARNING

Prior to use of this equipment, all operators must read the instructions carefully and educate themselves to the proper operation of this power seamer K9-1-GWS.

This equipment has some electric and moving parts, which could create potential injury.

The operator assumes all responsibility and liability for bodily or property damage in the operation or use of this equipment.

Dräco disclaims any responsibility or liability for injury or death caused by negligent operation or intentional misuse of this product.

IMPORTANT

Please always read this manual before attempting to operate this machine and observe all safety signs.

WARRANTY

12 MONTH WARRENTY ON PARTS ONLY

We warrant to the original purchaser that all DRÄCO manufactured parts shall be free from defects in material and workmanship for a period of 12 month from the date of shipment to the original purchaser. DRÄCO shall only be liable under this warranty if the product is used in a proper manner under normal use.

In the event of a claim under this warranty the original purchaser shall provide written notice of the nature of the defect to DRÄCO, Gutenbergstr. 15-17, D 73779 Deizisau, Germany, may elect, at its option, to either repair or replace any DRÄCO manufactured parts proven to be defective on material or workmanship. Defective DRÄCO manufactured parts must be returned to the factory for warranty service, freight prepaid. Repaired or replacement parts will be shipped to the purchaser freight collect. DRÄCO'S warranty is limited to repair or replacement of defective parts received (freight prepaid) at the factory and does not extend to providing field service, machine adjustments, field repairs, freight, air- fare, direct or consequential costs, or expenses resulting from an associated with machine failure.

This warranty is VOID if the part or any machinery in which any parts are contained is altered, abused, misused, or neglected, or if required maintenance is not timely performed. Any failure of purchaser to properly install or use the product shall operate as a waiver of the breach of warranty, absolving Dräco Germany of any liability whatsoever. This warranty is further VOID unless the warranty registration card has been properly completed and returned, to DRÄCO Germany within thirty (30) days from the date of shipment.

Dräco gives notice that any statement made by the manufacturer in the sale of the product shall not create any warranty that the product shall be fit for any particular purpose. Statements or description are informational only, and purchaser shall be solely responsible for determining the adequacy of the product by purchaser, shall not be subject to any implied warranty or fitness for that or any other purpose.

ALL OTHER WARRANTIES, EXPRESS OR IMPLIED, ARE EXCLUDED.

Model No. _____ Machine Serial No. _____

THIS WARRANTY SHOULD BE RETAINED BY THE CUSTORMER FOR FUTURE REFERENCES.



EG-Konformitäts-Erklärung Declaration of conformity

Im Sinne der EG-Richtlinie Maschinen 06/42/EG

Max Draenert Apparatebau GmbH & Co.KG
Gutenbergstr. 15 - 17
73779 Deizisau

Fabrikat:

Dachfalzschließer

Artikelbezeichnung:

K9-1-GWS

Hiermit erklärt der Unterzeichner in alleiniger Verantwortlichkeit, daß die angegebenen Produkte mit den folgenden Richtlinien und Normen übereinstimmt.


We declare under our sole responsibility that this product is in conformity with the following standards or standardisation documents:

EG 06/42

DIN EN ISO 12100-1
DIN EN ISO 12100-2
DIN EN ISO 14121-1
DIN EN ISO 13849-1

Made in Germany

Deizisau, 18.05.2010
Ort, Datum


Unterschrift / Inhaber

Max Draenert Apparatebau GmbH & Co.KG - Elektro-Druckluftwerkzeuge Germany

Werk I :	Verwaltung	D - 73777 Deizisau	Postfach 1120	Fax 07153-21468
	Gutenbergstr. 15-17	D - 73779 Deizisau	Telefon 07153-8217-0	Fax 07153-8217-66
Werk II:	Seewiesenweg 1	D - 73779 Deizisau		
	INTERNET http://www.dracotools.com		E-mail: draenert@dracotools.com	